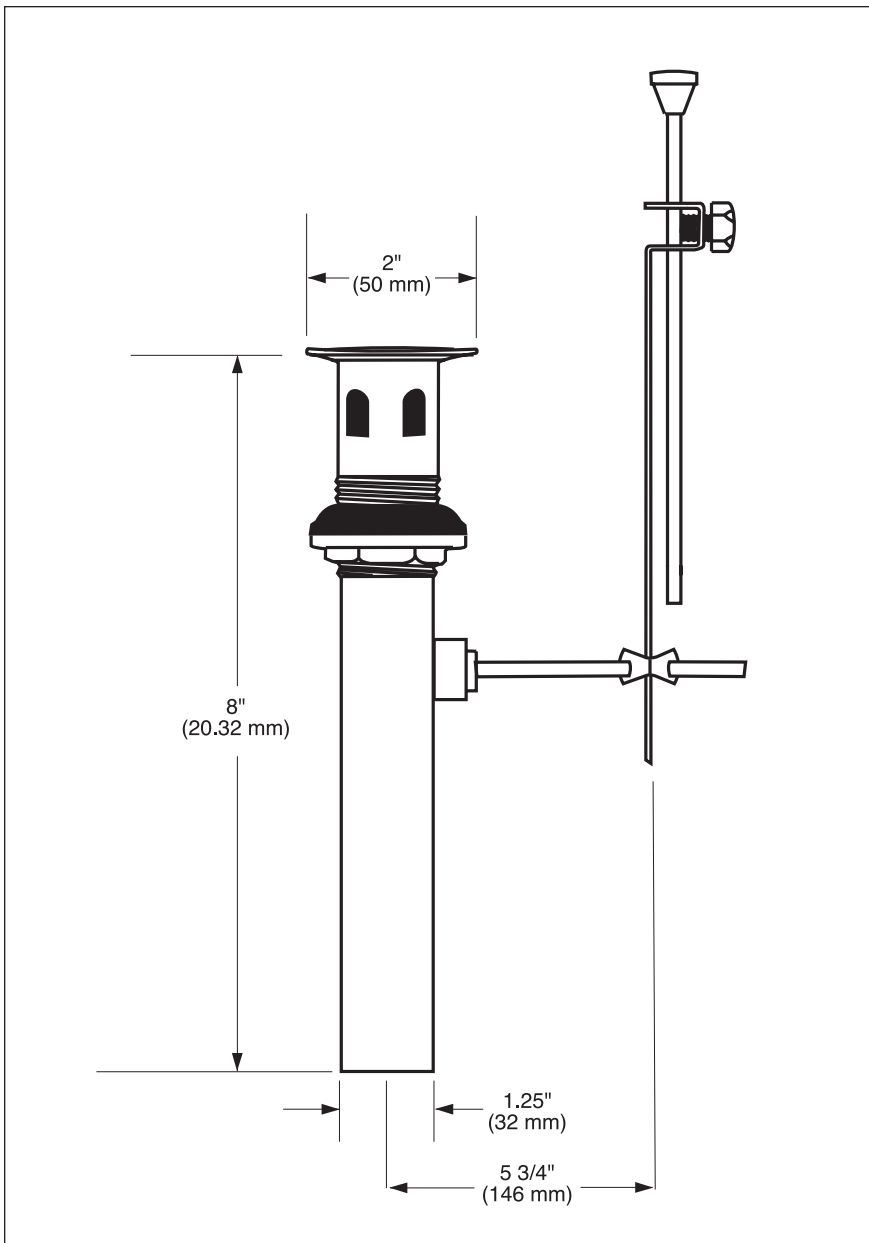


Submitted Model No.: _____

Specific Features: _____



DELTA[®]

MECHANICAL POP-UP

STANDARD SPECIFICATIONS:

- One piece chrome plated brass tube
– 1 1/4" (32 mm) O.D.
- Adjustable lift rod system.
- With overflow holes.

WARRANTY

- Lifetime Faucet and Finish Limited Warranty to the original consumer purchaser to be free from defects in material and workmanship.
- 5 Year Limited Warranty for usage in all industrial, commercial and business applications.

COMPLIES WITH:

- CSA Certified
- Complies to ANSI/ASME Standard A112.18.1M/CSA B125.1



55 E, 111th Street, Indianapolis, IN 46280
395 Matheson Blvd. E., Mississauga, ON L4Z 2H2
© 2007 Masco Corporation of Indiana

Delta reserves the right (1) to make changes in specifications and materials, and (2) to change or discontinue models, both without notice or obligation. Dimensions are for reference only. See current full-line price book or www.specselect.com for finish options and product availability.

DSP-D-2122-DTP Rev. A

9.D.1